



0024

Technical Service Information

Page 1/1



81-90013-00
PSA / Ford

- The relevant areas of the engine must be cleaned
- Rectangular areas on the component (**see Figure 1**) must be filled up to 75% with REINZOSIL. Never use more than the recommended amount of sealant, or apply sealant to other areas. Install within 5 minutes of applying the sealant.
- The integrated oil seal must be installed in conjunction with a assembly aid, which may only be removed once the oil seal is properly seated.
- Tighten the bolts in the **order as shown** using 10 Nm of torque (**see Figure 2**).
- Remove the assembly aid

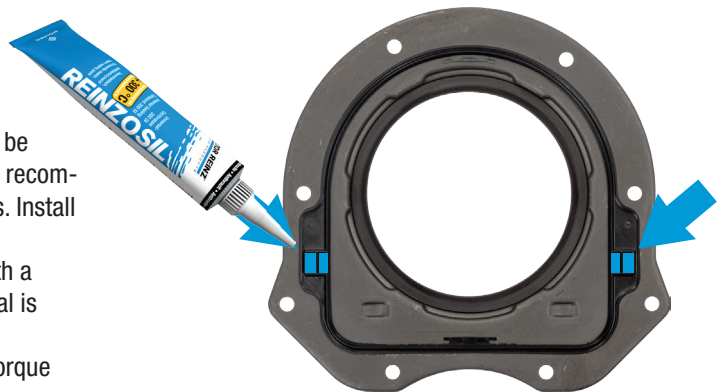


Figure 1

! In order to ensure a secure seal, the engine should only be run about **4 hours** after installation, so that the PTFE sealing lip can position itself evenly around the shaft to be sealed.

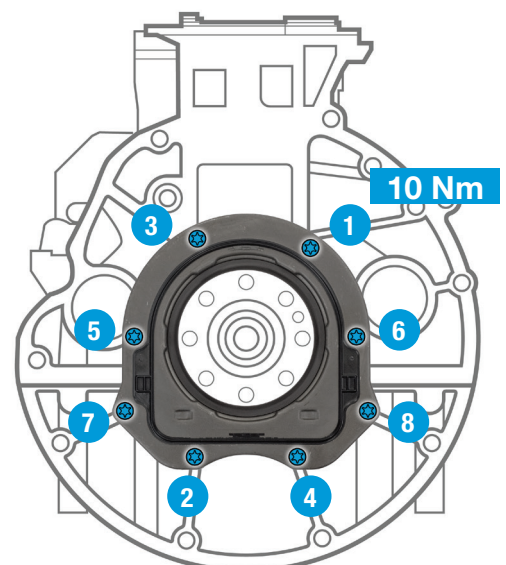


Figure 2

VICTOR REINZ – Just seal it!